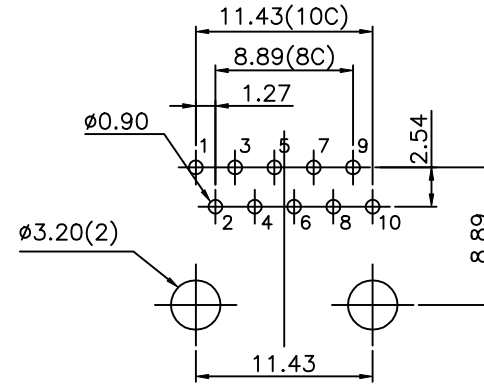
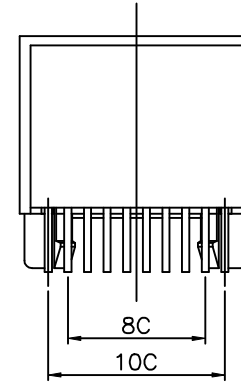
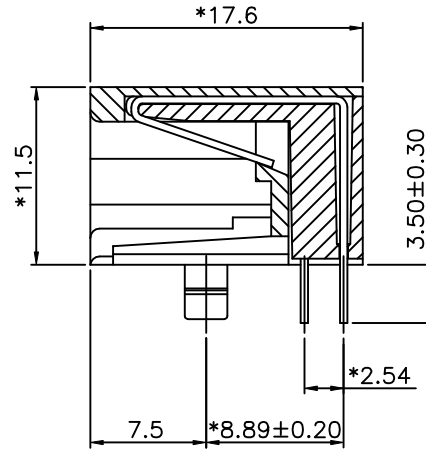
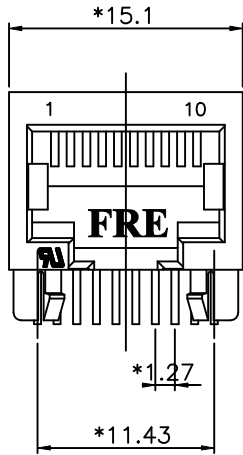


REVISION RECORD				
REV	ECO	DESCRIPTION	DRFT	CHKD
△		ADD PART NUMBER	CARROL 10/27/05	
△		MODIFY DRAWING	ANKUE 11/01/05	



PC Board Layout t = 1.60mm

Component Side Shown

NOTES:

ELECTRICAL:

1. VOLTAGE RATING : 125 VAC RMS.
2. CURRENT RATING : 1.5 AMP.
3. CONTACT RESISTANCE : 30 MILLIOHMS MAX.
4. INSULATION RESISTANCE: 1000 MEGOHMS MIN @ 500 VDC.
5. DIELECTRIC STRENGTH : 1000 VAC RMS 60Hz, 1MIN.

MECHANICAL:

1. HOUSING MATERIAL : PBT UL94V-0.
2. CONTACT MATERIAL : PHOSPHOR BRONZE ø0.46mm.
3. PLATING : GOLD PLATING OVER NICKEL.
4. OPERATING LIFE : 750 CYCLES MIN.
5. PCB RETENTION PRE-SOLDER : 1 LB MIN.
6. PCB RETENTION POST-SOLDER: 10 LBS MIN.

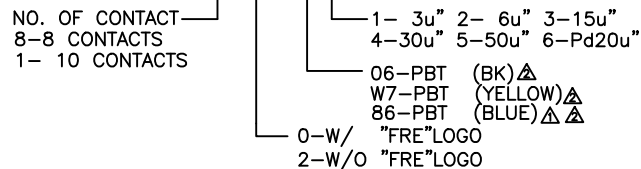
ENVIRONMENTAL:

1. STORAGE : -40°C TO +85°C.
2. OPERATION: -40°C TO +85°C.
3. WAVE SOLDER TEMPERATURE: 230°C TO 250°C 5-10 SECOND.

MATES WITH MODULAR PLUG CONFORMING TO FCC PART 68, SUBPART F.

CUL FILE NO. E163191

ROHS PART NUMBER: E560X-X00XXX-L



← MM (INCH) →		DFTO ANKUE	DATE 09/17/05	FULL RISE ELECTRONIC CO., LTD	
TOLERANCES EXCEPT AS NOTED		CHKD JMYN	DATE 2005/11/2	TITLE	
		MFO	DATE	11.5 SIDE ENTRY PCB GANG JACK 10P	
		APPVL LUSHENG	DATE 2005/11/2	DRAWING NO. GE563046_LC	
		MATERIAL :		SIZE	REV
		QT'Y :		A3	2
		FINISH :		/PART NO. SEE NOTE	
		SCALE : 3 : 1		DO NOT SCALE DRAWING	
		THIRD ANGLE PROJECTION		SHEET 1 OF 1	